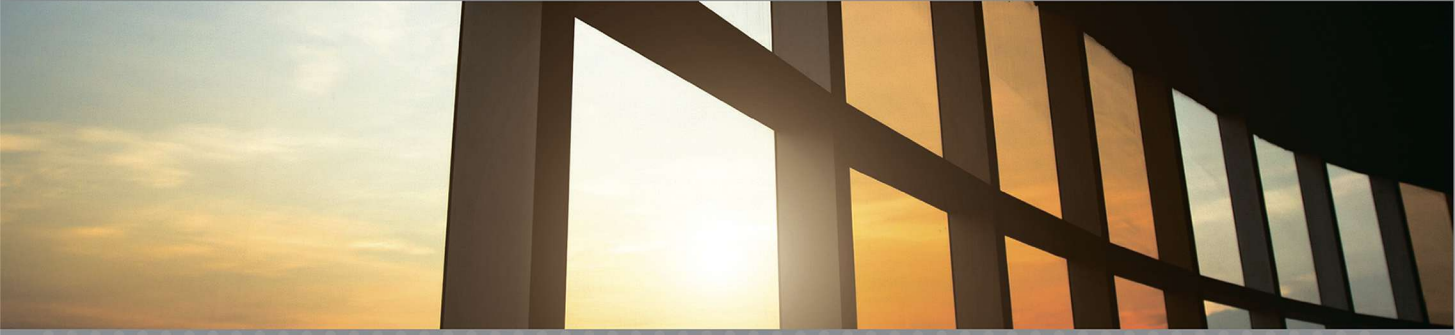


 **MASTERLINE®**

Architectural Systems

**FRAM**

2018/2 ARCHITECTURAL CATALOGUE

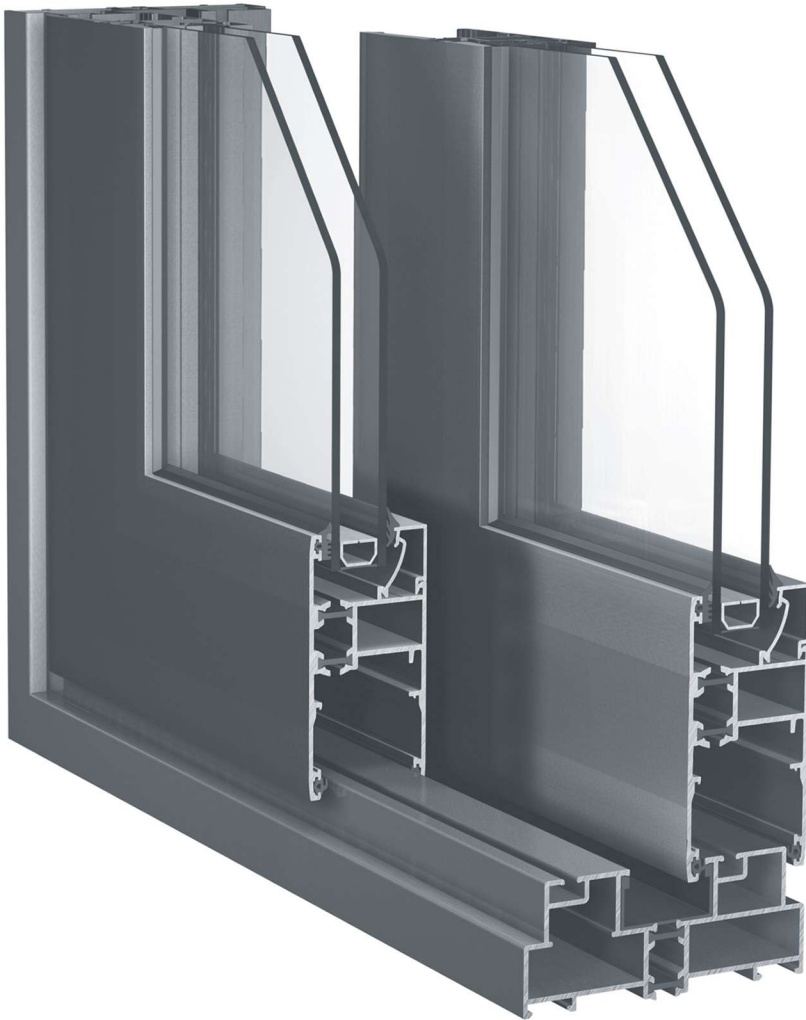


ALUMINIUM DOOR, WINDOW AND FACADE SYSTEMS

  
TÜRKİYE'NİN  
İKİNCİ 500 BÜYÜK SANAYİ  
KURULUŞU  
2017



**E 115**



*INSULATED LIFT & SLIDE SYSTEMS*

---

